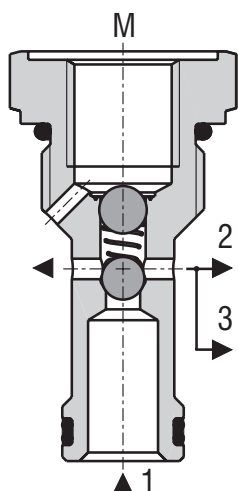


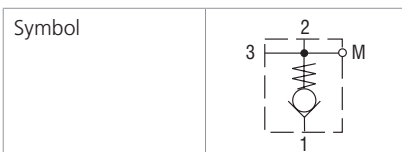
Check Valve With Pressure Gauge Port
SC1F-A3

 3/4-16 UNF • Q_{max} 20 l/min (5 GPM) • p_{max} 350 bar (5100 PSI)

Technical Features

- › Hardened precision parts
- › Sharp-edged steel seats for dirt-tolerant performance
- › Leak-free closing, suitable for fast cycling with long life
- › Integrated pressure gauge port G 1/4" or SAE
- › In the standard version, the valve is zinc-coated for 240 h protection acc. to ISO 9227

Functional Description

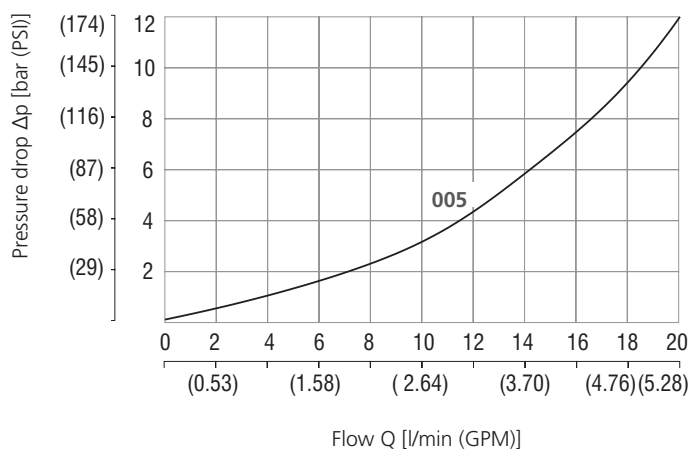
A hydraulic check valve in the form of a screw-in cartridge for use in 3-way cavity. The cartridge has a ball check which is closed by spring until sufficient pressure is applied at port 1 to open flow to port 2.


Technical Data

| Valve size / Cartridge cavity | | 3/4-16 UNF-2A / A3 (C-8-3) |
|-------------------------------|-------------|------------------------------|
| Max. flow | l/min (GPM) | 20 (5.3) |
| Max. operating pressure | bar (PSI) | 350 (5080) |
| Cracking pressure | bar (PSI) | 0.5 (7.3) |
| Fluid temperature range (NBR) | °C (°F) | -30 +100 (-22 ... +212) |
| Fluid temperature range (FPM) | °C (°F) | -20 +120 (-4 ... +248) |
| Mass | kg (lbs) | 0.05 (0.11) |

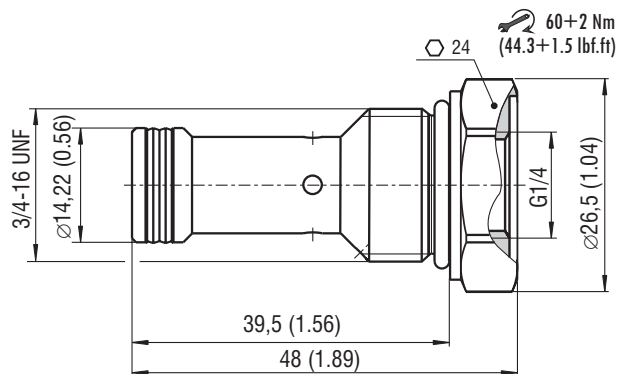
| | | Datasheet | Type |
|-----------------------------|------------------|----------------|-----------------------------------|
| General information | | GI_0060 | Products and operating conditions |
| Valve bodies | In-line mounted | SB_0018 | SB-A3* |
| | Sandwich mounted | SB-04(06)_0028 | SB-*A3* |
| Cavity details / Form tools | | SMT_0019 | SMT-A3* |
| Spare parts | | SP_8010 | |

Characteristics measured at $v = 32 \text{ mm}^2/\text{s}$ (156 SUS)

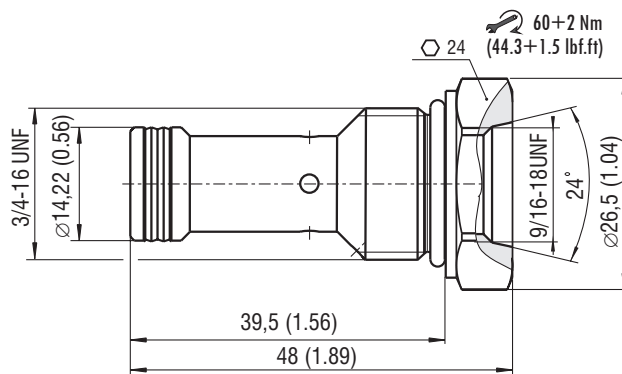
Pressure drop related to flow rate


Dimensions in millimeters (inches)

Model G



Model S



Ordering Code

